



The Tactical Coffee Table

Assembly
How It Works
Safety Rules
Troubleshooting

Congratulations on your decision to purchase a Tactical Trap. You've made a wise decision and we're grateful you've given us the opportunity to serve you as a customer. If you have any questions about your product don't hesitate to contact our support team via email at support@tacticaltraps.com

Legal Disclaimer: *Misuse of products sold by Tactical Traps can involve serious risks including injury, disability and death.*

Step 1: What's included with your Tactical Coffee Table

- **3 Key cards.** The key cards will be used to open the unit.
- **Buzzer setting card:** This can be used to silence your lock.
- **Battery backup pack:** This can be used to open the table if the batteries die.
- **Foam insert:** This is used to hold your firearm.
- **LED light**
- **Assembly parts:** The table will deliver in two boxes.
 - **Box 1:** Table top and bottom shelf
 - **Box 2:** Table legs, paper work and parts bag
- **Assembly hardware:** 12 Bolts and an Allen wrench

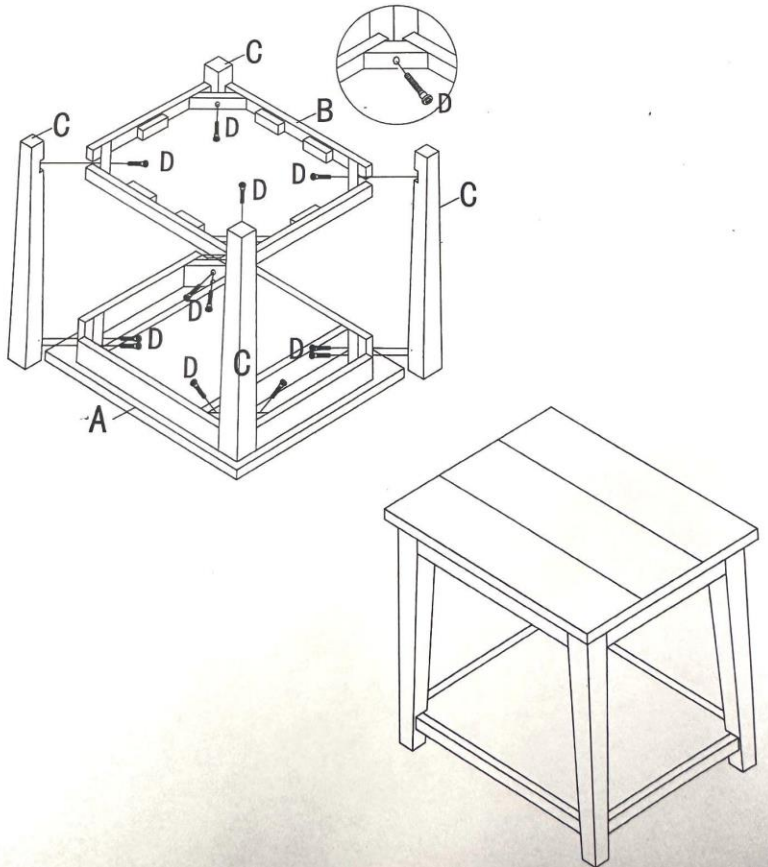
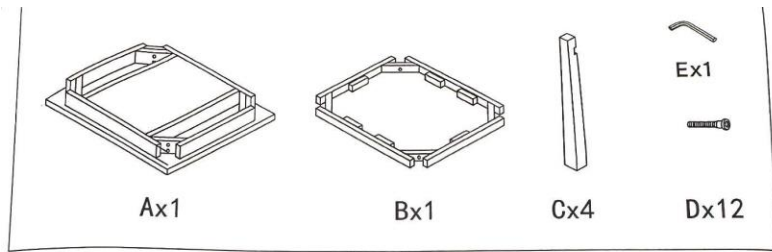
If your package is missing any of these items, please email us at support@tacticaltraps.com

Step 2: Table Assembly

**Note: Grab a buddy, this will be a two-person job. The table is heavy and you don't want to chance damaging the finish.*

****Pictures of assembly on next page****

1. Prepare your work surface. It's best to use a rug, blanket, etc. wherever you will begin assembly.
2. Remove the table top and bottom shelf from box one. Place the table top face down on your work surface.
3. Remove the table legs and parts bag from box two. Remove the 12 bolts and Allen wrench from the parts bag.
4. Start by lining one leg up underneath the table and insert a bolt into each of the two holes by hand and then tighten with the Allen wrench.
5. Repeat with the second leg on the same end of the table.
6. Align the notches of the bottom shelf with the notches towards the bottom of the two legs that have been installed. (make sure you have help with this.)
7. While one person stabilizes the bottom shelf the other will put the third and fourth legs in place on the other end. Installing two bolts through each leg to attach them to the table top.
8. You will place one of each of the remaining 4 bolts into the bottom of each leg to hold the bottom shelf in place.
9. Make sure each of the twelve bolts are firmly tightened into place with the Allen wrench.
10. You can now carefully turn the table right side up.



Step 3: How the Table Works

Your unit is equipped with a Bluetooth enabled RFID locking system and emergency battery backup. Included with your unit are 3 RFID keycards and 1 sound card. You can find those taped to the top of the table in a yellow envelope. (Save the 4-digit PIN on the envelope, you'll need this to connect to Bluetooth.)

To open the table, place either one of the keycards included over the orange sticker dot on the top of your table. The lock will automatically disengage and the tray will drop down and slide out.

To close the table, wait 3 seconds for the latch to automatically reset and then just gently slide the drawer in and push up until it latches closed.

NOTE: Pay no attention to how the keycards are labeled (manager/user), they all work the same. They are labeled that way for programming, which we did for you.

Also, the keycards included can be hidden (or attached by using double sided tape) under any décor you choose to place on top of your table or in a wallet, so you don't have to worry about misplacing them. DO NOT CUT the cards in any way; it will deactivate them.

Buzzer Setting/Sound Card:

The lock is equipped with a beeping noise to let you know if the unit is not secure. One swipe/scan of the sound card will disable the beep, another swipe will restore the beep.

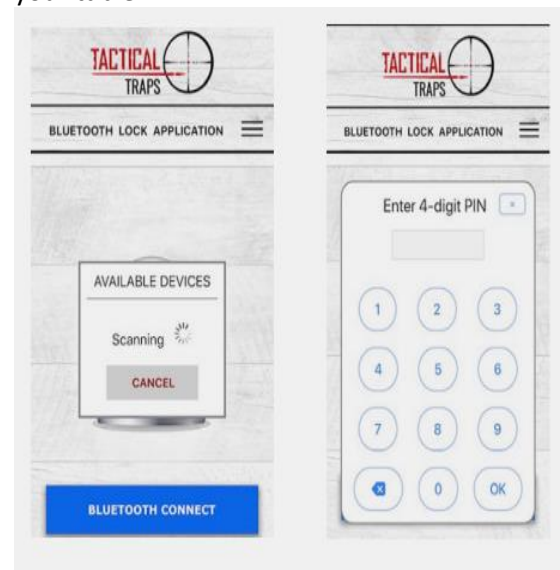
NOTE: please make sure to leave the sound on until you're familiar with the locks trigger point (marked with the orange sticker). You can remove the orange sticker dot after you are familiar with that trigger point.

Step 4: How the Bluetooth Lock Works

Your Tactical Coffee Table has been upgraded to our new Bluetooth lock. Included with your table are 3RFID keycards. You can find those taped on top of the table in a small yellow envelope. (Save the 4-digit pin on the envelope, you'll need this to connect to Bluetooth. This 4-digit PIN is also printed on the face of your lock, which is harder to see.)

1. Update your phone's software if possible
2. Restart your phone
3. Turn on your Bluetooth
4. Go to the app store if you have an iPhone and search Tactical Traps. If you have an Android go to Google Play and search Tactical Traps. Download and install the app
5. After you download the app, open it up and click the Bluetooth connect button. Your phone will scan for the lock. When it's found enter your 4-digit pin number. You can find this number written on top of the envelope your key cards came in. It's also located on the lock face inside your table. Please double check that Location Services is turned on in your settings, which is required of any Bluetooth device to work, and that all permissions are turned on in the app settings.
6. Click the unlock button after the app is installed and Bluetooth is connected to open

your table.



Step 5: Batteries

The RFID lock runs on 4 AAA batteries that should be changed every 5 to 6 months, depending on use. To change the batteries you will need to remove the black slide out tray. Once the tray is removed and you have access to the locking mechanism, simply remove the thumb screw (black knob) from the lock and then open the battery cover. Then remove the old batteries and **replace with good quality new high alkaline batteries.**

When the lock battery gets low, you will hear a series of beeps when you place the key over the trigger point on top of the table. When you hear that series of beeps it's time to change the batteries. If you've used the sound setting card to disable the beep you will not hear this warning beep.

***IMPORTANT:** Make sure the internal backup wire is plugged firmly into the locking mechanism before closing or the backup pack will not work. **Do not store the battery backup pack inside the unit.**

Step 6: Battery Backup Pack

If for some reason the batteries in your lock die before you change them - no problem! You can always get to your guns by using the battery backup pack that came with your purchase.

Here's what you do:

1. Place 4 AAA batteries inside your battery backup pack.
2. Locate the small auxiliary hole under the table, right side.
3. Plug the backup pack into the hole as tightly as it will fit.
4. Scan one RFID card over the locking mechanism (where the orange dot sticker was) just like you normally would, and your table will open.
5. When your table is open, change all 4 AAA batteries in the lock.
6. **Remove the batteries from the backup pack and store outside the table.**

Step 7: LED light

The included LED light is motion detected, meaning there isn't an on/off switch. When the table is closed the light will shut off. When it opens it will turn on by itself.

To mount your light, you will peel and stick either the long magnet (strip light) or the small round sticker (round light) on the top/inside of the table, making sure it's placed away from the lock. Both lights are upgraded versions; we send the style of light based on what our vendor has sent us.

Step 8: Cutting the Foam to Fit Your Accessories

Note: For a video walkthrough go to: tacticaltraps.com/install

Lay the foam insert on the floor. Lay your gear on top. Push down snugly and trace them using a marker. Make sure if you're tracing your firearms that they are unloaded, and the chamber is empty!

Next, cut out the foam carefully using a sharp and brand-new razor/utility knife. It's recommended that you cut through at least $\frac{3}{4}$ of the foam for a handgun. The more time you take to do this correctly, the better your gear will fit. Don't be sloppy with this because the foam is designed to hold your gear in place when the unit lowers. If the cuts are not precise you run the risk of your gear falling out when opening the table.



*****VERY IMPORTANT***** After you get everything cut out, remove the adhesive backing and carefully place it in the table tray making sure it's lined up correctly.

Step 9: Safety Rules to Consider

1. Don't store your firearm with a live round in the chamber.
2. Remember a tactical trap is not a safe; and although it's sturdy and well-built, it can be knocked off the wall or broken with enough force. In the unlikely event of that happening your gun could send a round through your house after being dropped! Yes, many new firearms are equipped with a drop safety to prevent this, but this is still something you should consider especially if you live in a home with children. You can take back a lot of things in life but a bullet is not one of them. Please remember that and be responsible when you store your gear.
3. If you have children living in your home it would be a good idea to move your firearms into a locked safe when you are not home or by your Tactical Trap. Most children will not understand how to work the product, but it's better to be safe than sorry. Plus, the whole purpose of a Tactical Trap is for quick access and if you're not home ... it makes no sense to leave your firearm inside of it.
4. Our products are designed to blend in as ordinary pieces of furniture and are strong enough to hold knick-knacks, candles, small vases, etc.... the normal items you might see on an ordinary table. They are not designed to hold items over 50 lbs. on top! Use common sense with decorating your table. If you think an item you want to place on your table might be too heavy... then it probably is. Also, don't store more than 15lbs of gear inside the slide out tray. That's more than enough weight to hold a rifle, handgun, spare mags and a flashlight.
5. Even though it takes considerable force to pry the table open...it is not intended to serve as a substitute for a government regulated gun safe. A lock, any lock in the world including a bank vault can fail. Is it likely? No, but neither is lightening striking you, but it can happen. So, if you have young children living or visiting your home... don't allow them to play with the Tactical Sofa Table. If you have older children living or visiting the house that you don't want messing around with your guns...take them out of the table when you're not home and lock them in a safe. Use common sense when storing your firearms and you'll be just fine.

Step 10: Troubleshooting

Q: My table won't close.

A: No problem, we have a quick fix! Please go to our video page:

<http://www.tacticaltraps.com/install> and watch the new video our manager just uploaded titled Tactical Table Won't Shut. The black box inside your table just needs a little bit of an extra 'push'

backwards with your thumb for it to line up with the locking mechanism and latch into place. Please let us know if this helps.

Q: My table won't open.

A: You might need to apply slight upward pressure to the bottom to disengage the lock. This is perfectly normal.

Q: Where is the battery backup port located?

A: When standing in front of the table, it is on the RIGHT side of the black box mounted under the table. You can run your hand alongside the black box to feel the auxiliary port. It is meant to be discreet so it isn't easy to spot. If you forget to change your lock batteries and your table won't open, insert 4 AAA batteries into the pack and plug it into this port. Then scan the RFID card or use the Bluetooth option to open the table. Once open, immediately change the 4 AAA batteries inside your lock (use alkaline batteries.)

For other questions not answered here, see tacticaltraps.com/faqs or create a support ticket by emailing us at: support@tacticaltraps.com

Contact Us:

support@tacticaltraps.com

(800)651-9171